

THIS DRAWING IS UNPUBLISHED.

RELEASED FOR PUBLICATION

---

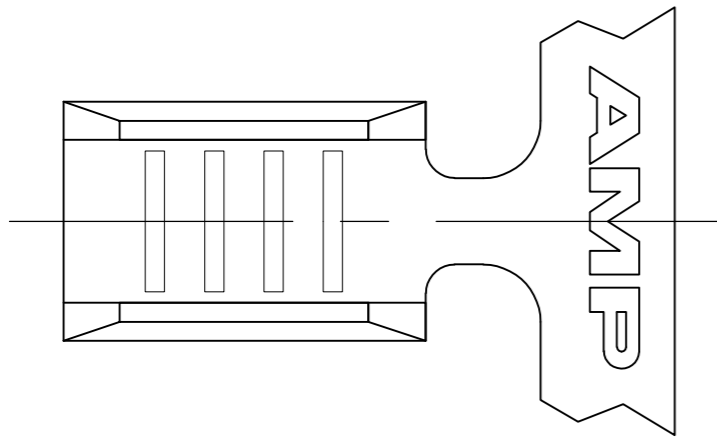
© COPYRIGHT BY TYCO ELECTRONICS CORPORATION.

ALL INTERNATIONAL RIGHTS RESERVED.

LOC AF DIST 50

REVISIONS

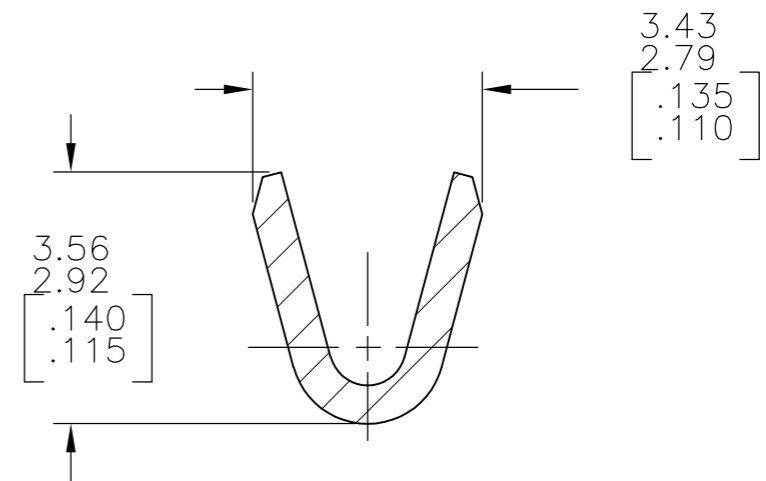
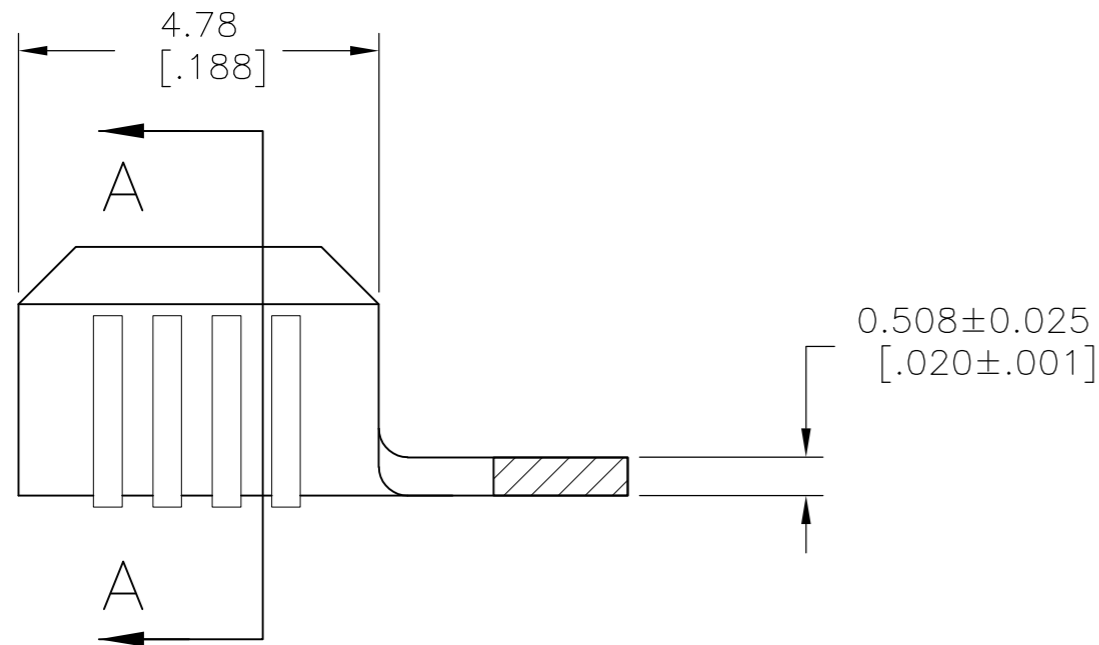
P	LTR	DESCRIPTION	DATE	DWN	APVD
	K1	REVISED PER ECR-08-016766	18JUL08	HMR	DL



- 1 CONTINUOUS STRIP ON REEL.
- 2 CRIMP WIDTH: .090 F TYPE  
CRIMP HEIGHT:  $(\pm.002) = (\text{TOTAL CMA} + 8300) / 145,800$   
FOR APPLICATOR INFORMATION CALL: 1-800-722-1111  
FOR PRODUCT INFORMATION CALL: 1-800-522-6752

3 0.002032 [.000080] MIN TIN PLATE.

4 PRELIMINARY - NOT FOR PRODUCTION.



SECTION A-A

	3	H00 COPPER	1200-2600 CMA	4	60372-5
OBSOLETE	-	TA STAINLESS STEEL	1200-2600 CMA	-	60372-4
OBSOLETE	3	T3 CR STEEL	1200-2600 CMA	-	60372-3
OBSOLETE	3	082 BRASS	1200-2600 CMA	-	60372-2
	-	082 BRASS	1200-2600 CMA	-	60372-1
		FINISH	MATERIAL	WIRE RANGE	PART NUMBER

THIS DRAWING IS A CONTROLLED DOCUMENT.		DWN 24/JAN/97 PHILLIP M FORTNEY	Tyco Electronics Corporation Harrisburg, PA 17105-3608														
DIMENSIONS: mm [INCHES]		CHK 24/JAN/97 JEFF R RUTH	NAME														
TOLERANCES UNLESS OTHERWISE SPECIFIED:		APVD 24/JAN/97 DENNIS SCHWENK	SPLICE														
<table border="0"> <tr><td>0 PLC</td><td>± -</td></tr> <tr><td>1 PLC</td><td>± -</td></tr> <tr><td>2 PLC</td><td>± 0.25 [.010]</td></tr> <tr><td>3 PLC</td><td>± -</td></tr> <tr><td>4 PLC</td><td>± -</td></tr> <tr><td>ANGLES</td><td>± -</td></tr> </table>		0 PLC	± -	1 PLC	± -	2 PLC	± 0.25 [.010]	3 PLC	± -	4 PLC	± -	ANGLES	± -	PRODUCT SPEC -	APPLICATION SPEC 114-2088	SIZE A3	CAGE CODE 00779
0 PLC	± -																
1 PLC	± -																
2 PLC	± 0.25 [.010]																
3 PLC	± -																
4 PLC	± -																
ANGLES	± -																
MATERIAL SEE TABLE	FINISH SEE TABLE	WEIGHT -	DRAWING NO C-60372	RESTRICTED TO -													
CUSTOMER DRAWING			SCALE 10:1	SHEET 1 OF 1	REV K1												